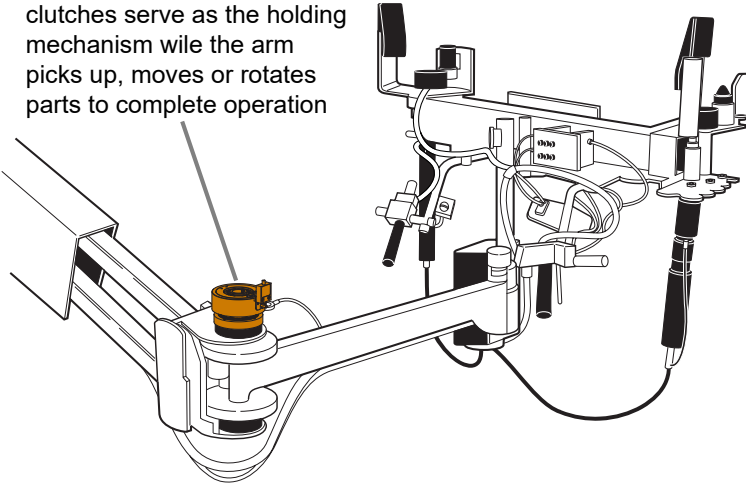


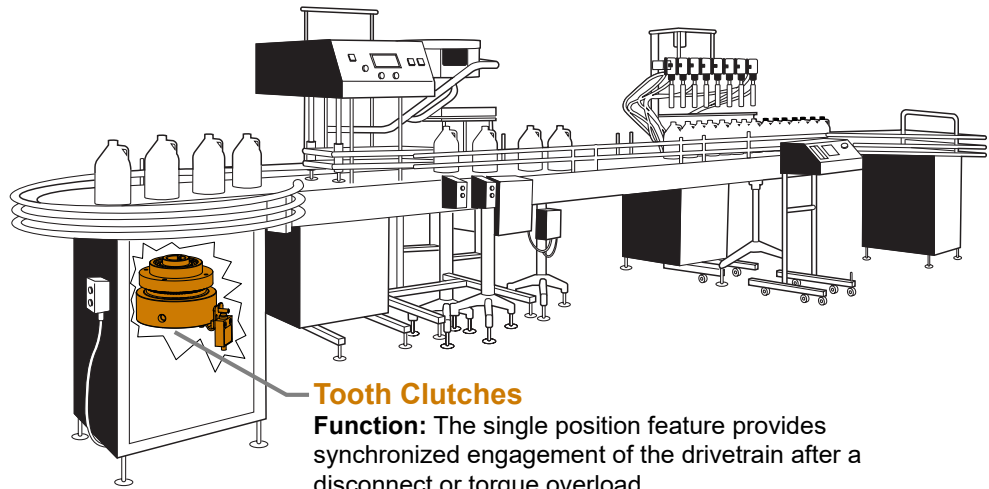
Application Examples

Articulating Balancing Arm

With fast engagement, tooth clutches serve as the holding mechanism while the arm picks up, moves or rotates parts to complete operation



Bottler / Filler & Capper



Bulk Handling Elevator

The machine utilizes a standby drive to eliminate downtime in the event of a failure. With repetitive dependability the Tooth Clutch connects and disconnects to allow the machine to pause for loading or unloading while the motor continues to run

